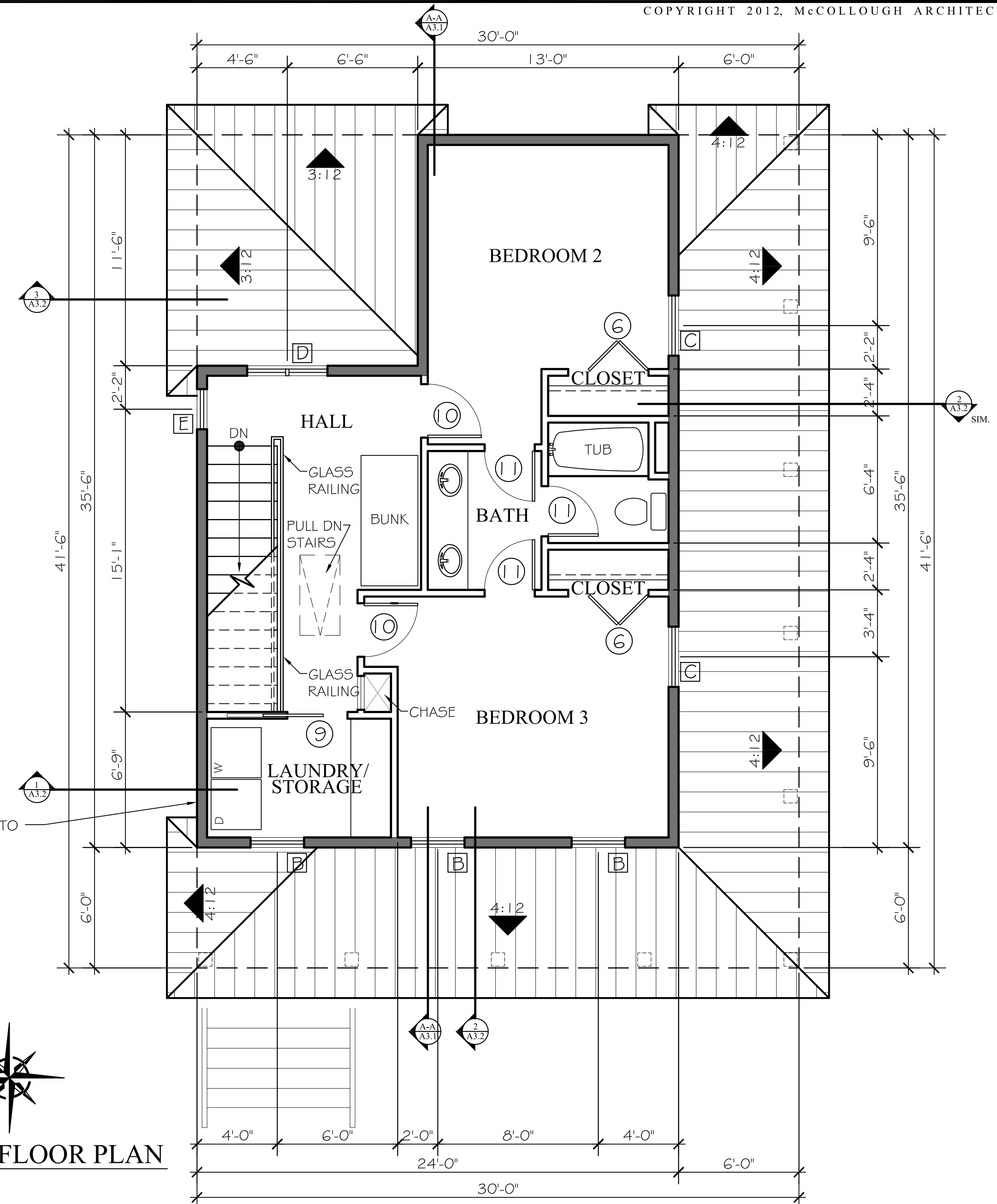
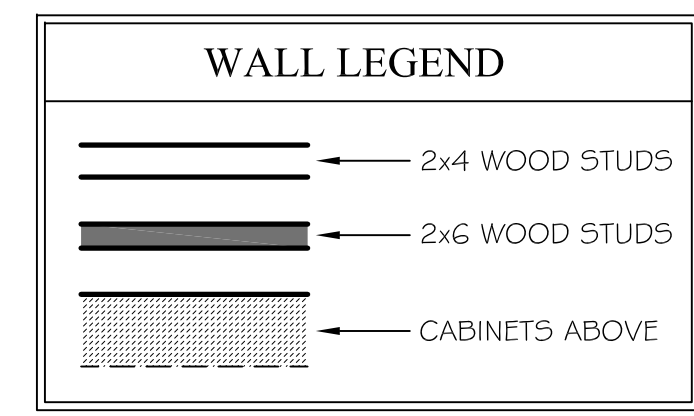
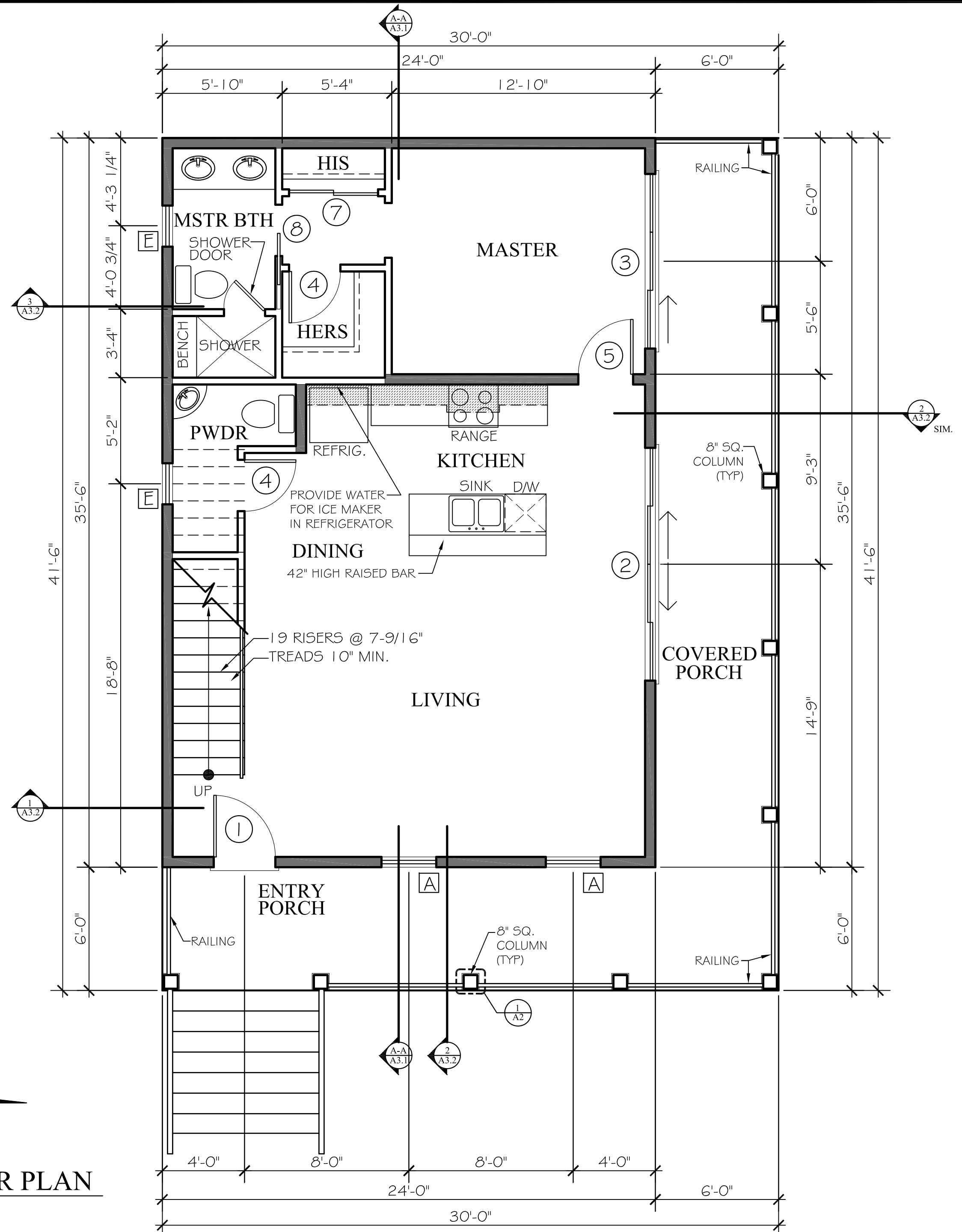




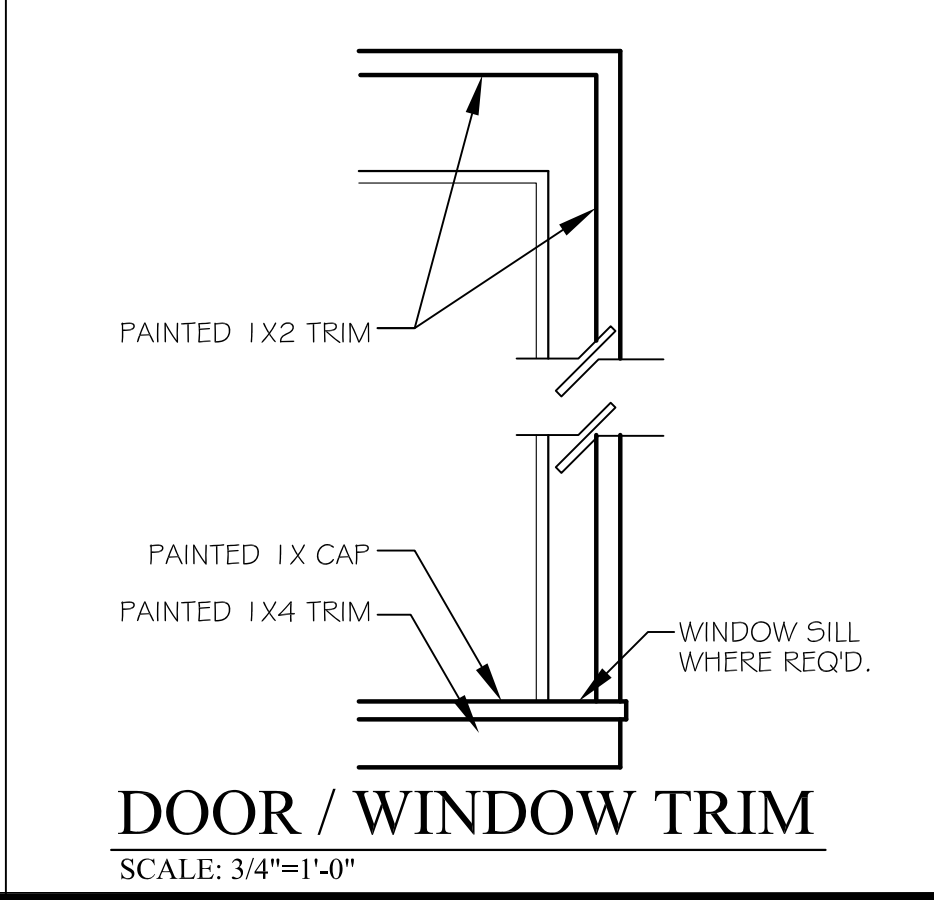
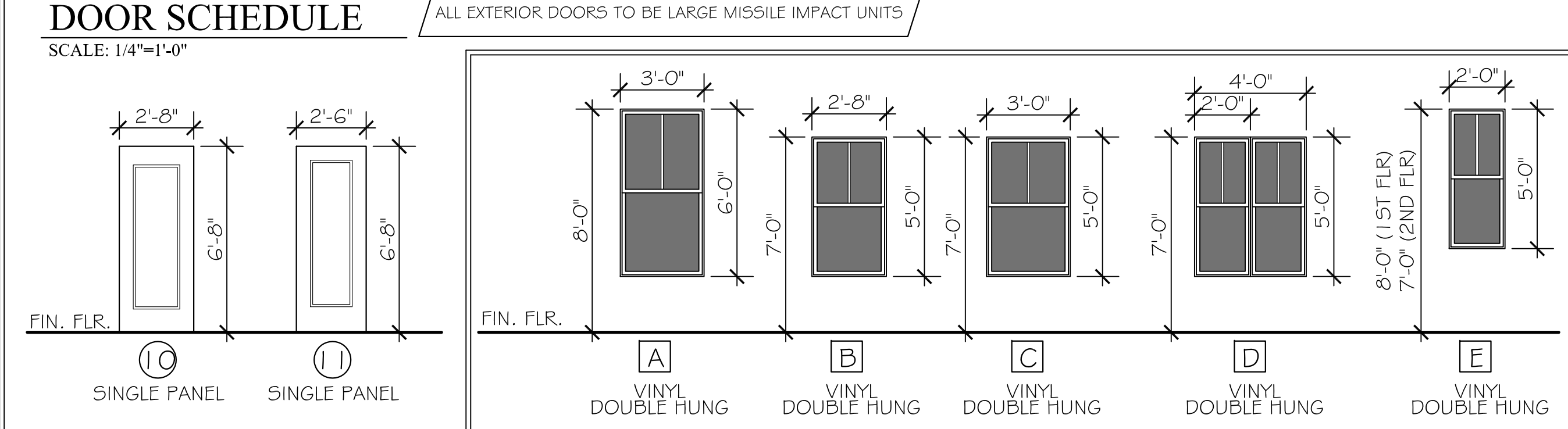
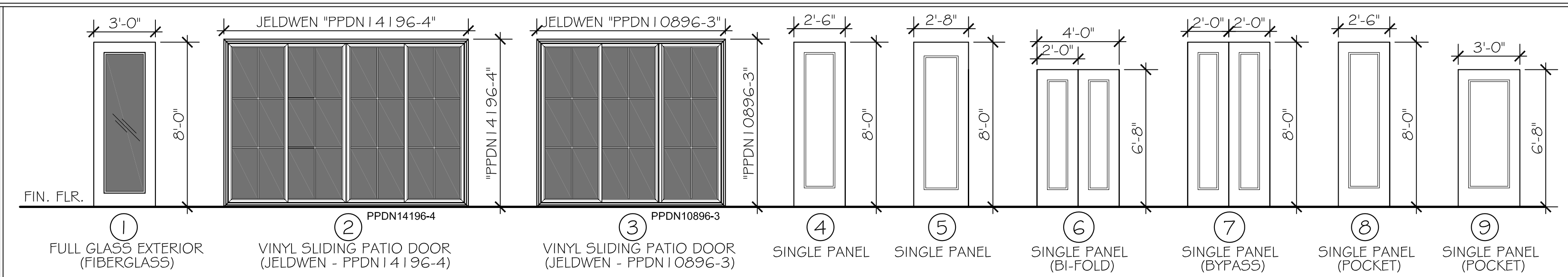
COTTAGES AT ROMAR
LOT C5
 23150 PERDIDO BEACH BOULEVARD
 ORANGE BEACH, ALABAMA



ROOM FINISH SCHEDULE									
	ROOM NAME	FLOORS			WALLS		CEILING		REMARKS
		FLOOR	BASE	FINISH	MATERIALS	FINISH	MATERIAL	FINISH	
1st FLOOR	ENTRY/COV. PORCH	WOOD*	-	PAINT	HARDIE-SIDING	PAINT	HARDI-PANEL	PAINT	SYNTHETIC MATERIAL
	LIVING ROOM	WOOD	1 X 3	-	GYP. BD.	PAINT	GYP. BD.	PAINT	
	DINING	WOOD	1 X 3	-	GYP. BD.	PAINT	GYP. BD.	PAINT	
	KITCHEN	WOOD	1 X 3	-	GYP. BD.	PAINT	GYP. BD.	PAINT	
	POWDER	TILE	1 X 3	-	M.R. GYP. BD.	PAINT	GYP. BD.	PAINT	
	MASTER BEDROOM	CARPET	1 X 3	-	GYP. BD.	PAINT	GYP. BD.	PAINT	
2nd FLOOR	MASTER BATH	TILE	1 X 3	-	M.R. GYP. BD.*	PAINT	GYP. BD.	PAINT	*TILE SHOWER
	BEDROOM 1	CARPET	1 X 3	-	GYP. BD.	PAINT	GYP. BD.	PAINT	
	BATH	TILE	1 X 3	-	M.R. GYP. BD.*	PAINT	GYP. BD.	PAINT	*TILE SHOWER
	BEDROOM 2	CARPET	1 X 3	-	GYP. BD.	PAINT	GYP. BD.	PAINT	
	LAUNDRY	TILE	1 X 3	-	M.R. GYP. BD.	PAINT	GYP. BD.	PAINT	
	HALL	CARPET	1 X 3	-	GYP. BD.	PAINT	GYP. BD.	PAINT	

NOTE: FINAL SELECTION OF ALL INTERIOR FINISHES TO BE DETERMINED BY OWNER.

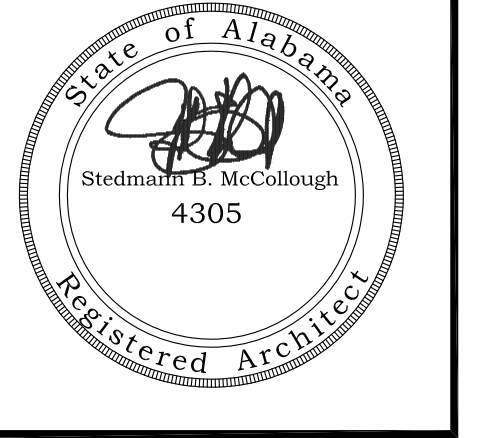
M.R. GYP. BD. - MOISTURE RESISTANT GYPSUM BOARD
 GYP. BD. - GYPSUM BOARD
 PRE-FIN. - PRE-FINISHED



JOB NO.:
 DRAWN: DEW
 CHECKED: SBM
 DATE: 11.15.13
 REVISION:
 SCALE: 1/4"=1'-0"
 SHEET NO.:
A1
 FLOOR PLANS



McCOLLOUGH ARCHITECTURE, INC.
P.O. BOX 6310
GULF SHORES, ALABAMA 36547-6310
PHONE: 251-968-7222
FAX: 251-968-5223



COTTAGES AT ROMAR
LOT C5
23150 PERDIDO BEACH BOULEVARD
ORANGE BEACH, ALABAMA

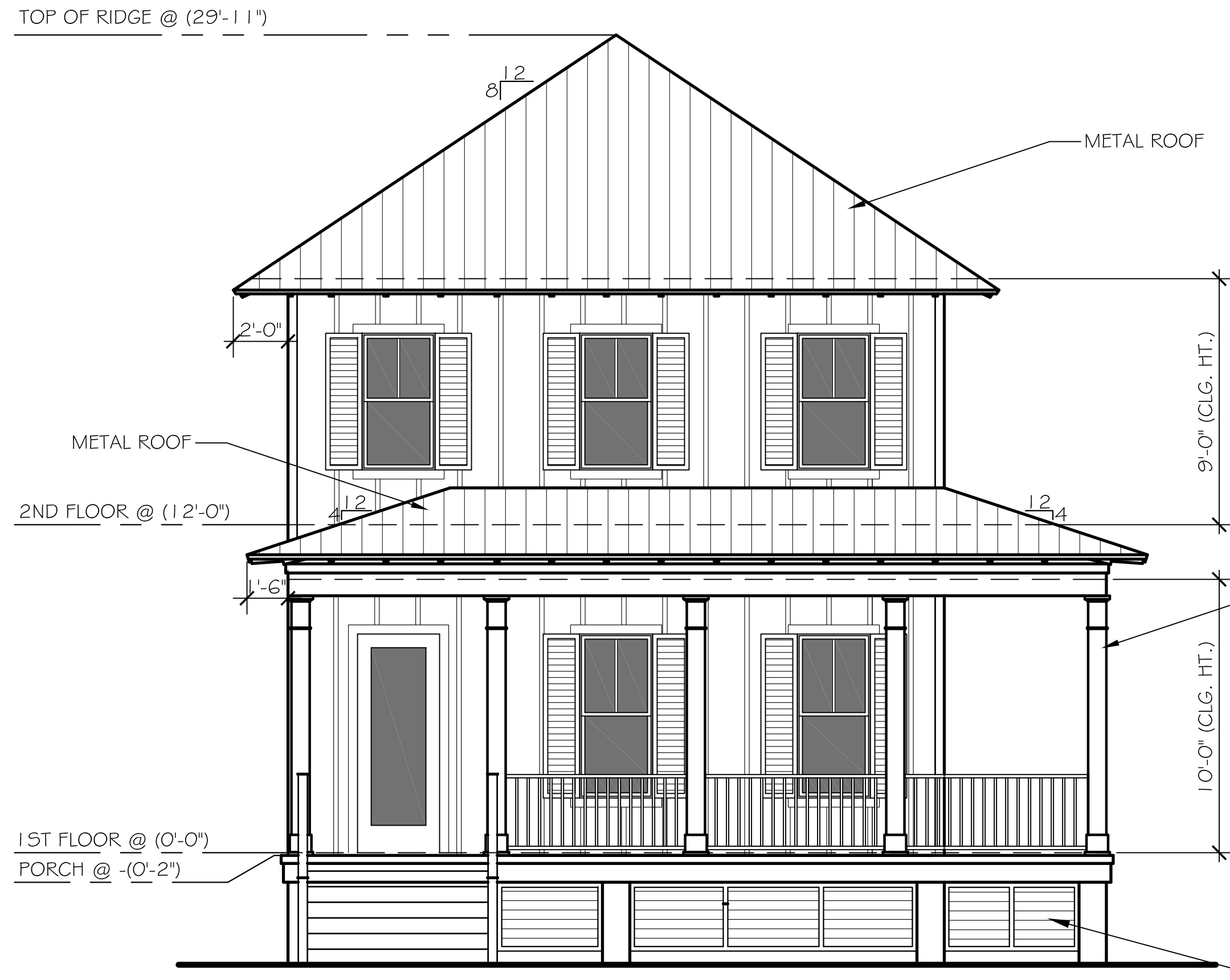
JOB NO.:
DRAWN: DEW
CHECKED: SBM
DATE: 11.15.13
REVISION:

SCALE: 1/4"=1'-0"

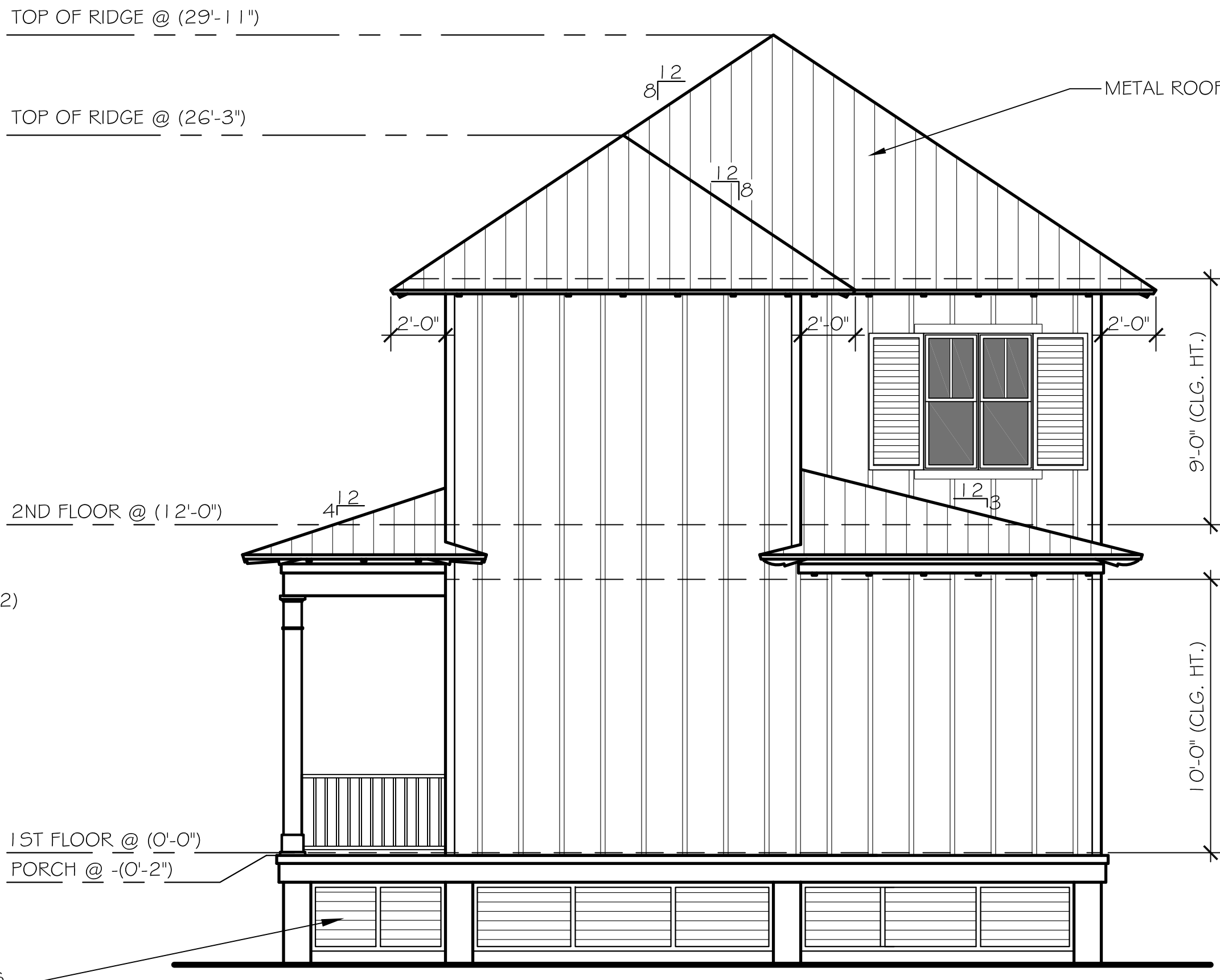
SHEET NO.:

A2

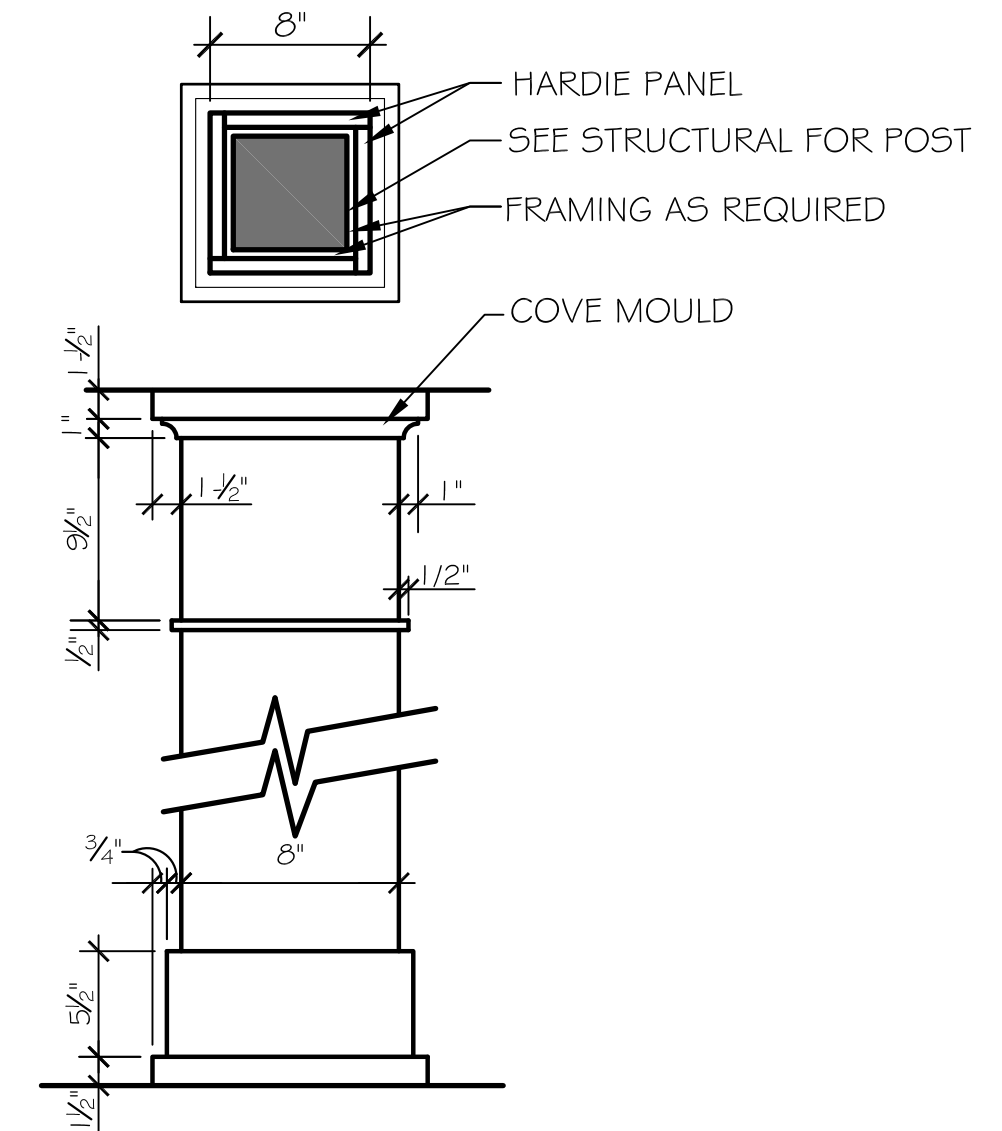
EXTERIOR ELEVATIONS



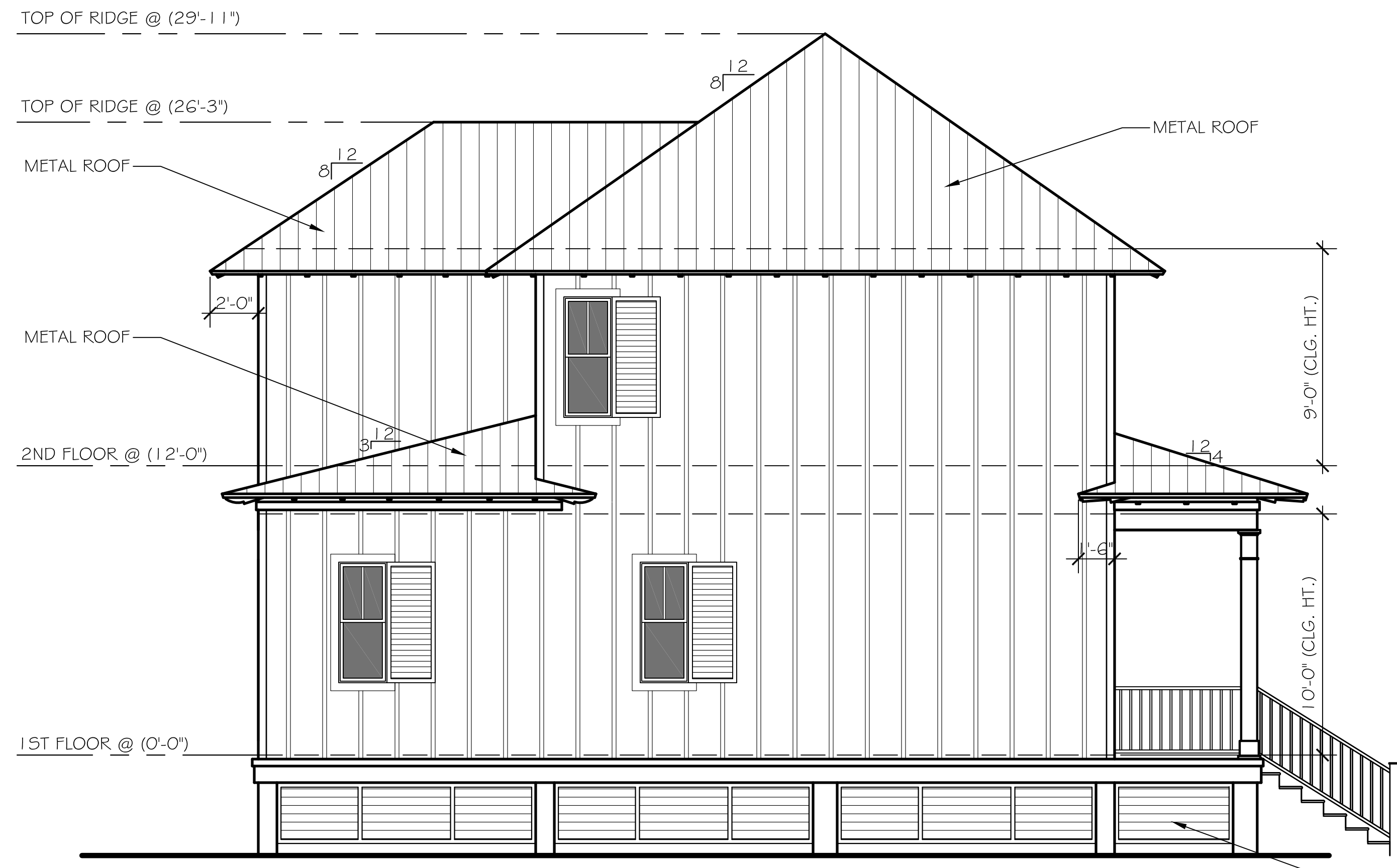
WEST ELEVATION
SCALE: 1/4"=1'-0"



EAST ELEVATION
SCALE: 1/4"=1'-0"



DECORATIVE COLUMN
N.T.S.



NORTH ELEVATION
SCALE: 1/4"=1'-0"



SOUTH ELEVATION
SCALE: 1/4"=1'-0"